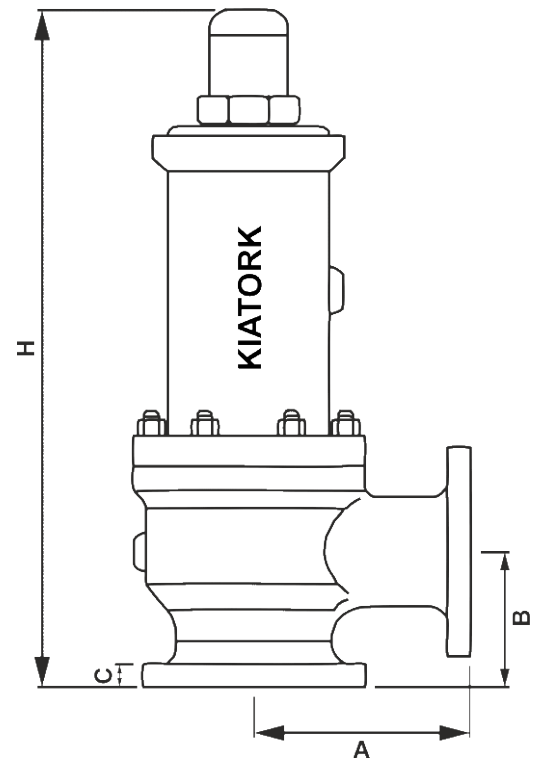


Orifice	F
---------	---

Actual Orifice Diameter $d_o$ [mm]	18.00 mm
Actual Orifice Area $A_o$ [mm <sup>2</sup> ]	254.00 mm <sup>2</sup>



Inlet Class	01	02	03	04	05	06	07
ASME Flange Rating	150 x 150	300L x 150	300 x 150	600 x 150	900 x 300	1500 x 300	2500 x 300
Size	1.1/2" x 2"	1.1/2" x 2"	1.1/2" x 2"	1.1/2" x 2"	1.1/2" x 3"	1.1/2" x 3"	1.1/2" x 3"
A (mm)	121.0	121.0	121.0	121.0	165.0	165.0	178.0
B (mm)	124.0	124.0	124.0	124.0	124.0	124.0	140.0
C (mm)	25.0	27.0	27.0	270.0	40.8	40.8	53
H (mm)	371.0	375.0	3750.0	375.0	490.0	490.0	490.0
Weight (kg)	12.0	14.0	14.0	14.0	40.0	40.0	50.0
Inlet Temp. (°C)	Maximum Set Pressure (Barg)						
-268 to -60	19.0	19.0	49.6	99.3	148.9	151.7	234.4
-59 to -29	19.0	19.0	49.6	99.3	148.9	248.2	344.7
-28 to 38	19.7	19.7	51.0	102.0	153.1	255	344.7
232	12.8	19.7	42.7	85.1	127.9	212.4	344.7
427	5.5	19.7	28.3	56.9	85.2	141.7	236.5
427	*	*	35.2	70.0	105.1	175.1	291.6
538	*	*	14.8	29.6	44.8	74.4	124.1
Outlet Temp. (37.3°C)	Maximum Outlet Pressure (Barg)						
Conventional Valves	19.7	19.7	19.7	19.7	41.4	41.4	51.0
Bellows Valves	15.9	15.9	15.9	15.9	34.5	34.5	34.5