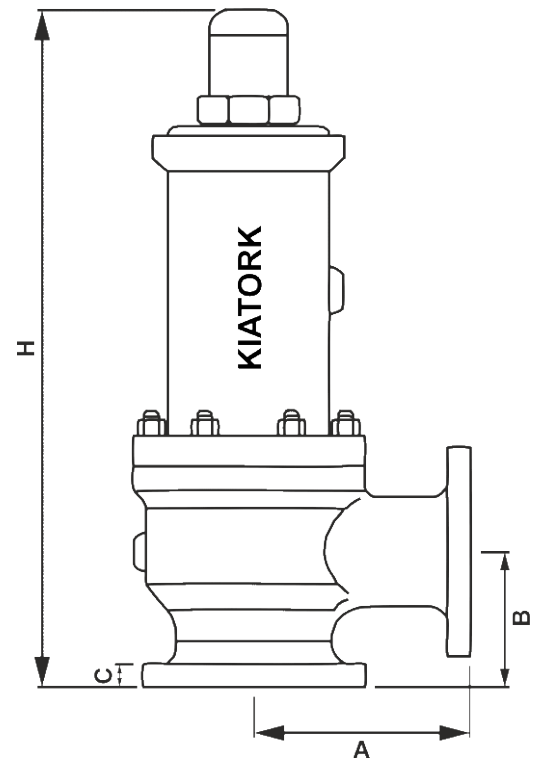


Orifice	G
---------	---

Actual Orifice Diameter d_0 [mm]	20.35 mm
Actual Orifice Area A_0 [mm ²]	325.00 mm ²



Inlet Class	01	02	03	04	05	06	07
ASME Flange Rating	150 x 150	300L x 150	300 x 150	600 x 150	900 x 300	1500 x 300	2500 x 300
Size	1.1/2" x 2"	1.1/2" x 2"	1.1/2" x 2"	1.1/2" x 2"	1.1/2" x 3"	1.1/2" x 3"	1.1/2" x 3"
A (mm)	121.0	121.0	121.0	121.0	165.0	166.0	172.0
B (mm)	1250.0	124.0	124.0	124.0	127.5	154.0	156.0
C (mm)	24.0	27.0	27.0	27.0	41.0	57.0	76
H (mm)	368.4	371.8	371.8	371.8	526.0	511.0	550.0
Weight (kg)	14.7	15.0	15.0	15.0	40.0	45.0	48.0
Inlet Temp. (°C)	Maximum Set Pressure (Barg)						
-268 to -60	19.0	19.0	49.6	99.3	148.9	168.9	179.3
-59 to -29	19.0	19.0	49.6	99.3	148.9	248.2	248.2
-28 to 38	19.7	19.7	51.0	102.0	153.1	255.4	255.4
232	12.8	19.7	42.7	85.1	127.9	212.4	255.4
427	5.5	19.7	28.3	56.9	85.1	142.0	236.5
427	*	*	35.2	70.0	105.1	175.1	2554.0
538	*	*	14.8	29.6	44.8	74.5	124.1
Outlet Temp. (37.3°C)	Maximum Outlet Pressure (Barg)						
Conventional Valves	19.7	19.7	19.7	19.7	51.0	51.0	51.0
Bellows Valves	15.9	15.9	15.9	15.9	32.4	32.4	32.4