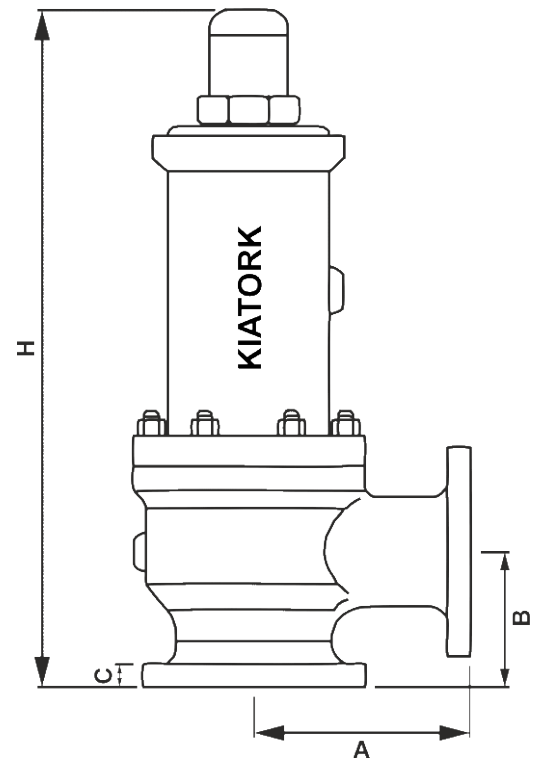


Orifice	K
---------	---

Actual Orifice Diameter d_o [mm]	43.00 mm
Actual Orifice Area A_o [mm ²]	1452.20 mm ²



Inlet Class	01	02	03	04	05	06	07
ASME Flange Rating	150 x 150	300L x 150	300 x 150	600 x 150	900 x 150	1500 x 300	
Size	2" x 3"	2"x3"	3" x 4"	3"x4"	3" x 4"	3" x 4"	
A (mm)	162.0	162.0	162.0	162.0	215.9	215.9	
B (mm)	158.0	158.0	158.0	163.0	198.4	196.9	
C (mm)	34.4	34.4	34.4	39.4	46.0	55.3	
H (mm)	548.0	578.0	548.0	553.0	610.0	610.0	
Weight (kg)	39.0	39.0	39.0	39.0	80.0	85.0	
Inlet Temp. (°C)	Maximum Set Pressure (Barg)						
-268 to -60	19.0	19.0	36.2	41.4	41.4	51.7	
-59 to -29	19.0	19.0	49.6	99.3	148.9	153.1	
-28 to 38	19.7	19.7	51.0	102.0	153.1	153	
232	12.8	19.7	42.4	85.1	127.2	153.1	
427	5.5	19.7	28.3	56.9	85.1	142.0	
427	*	*	35.2	70.0	105.1	153.1	
538	*	*	14.8	29.6	44.8	74.5	
Outlet Temp. (37.3°C)	Maximum Outlet Pressure (Barg)						
Conventional Valves	19.7	19.7	19.7	19.7	19.7	41.4	
Bellows Valves	10.3	10.3	10.3	13.8	13.8	13.8	