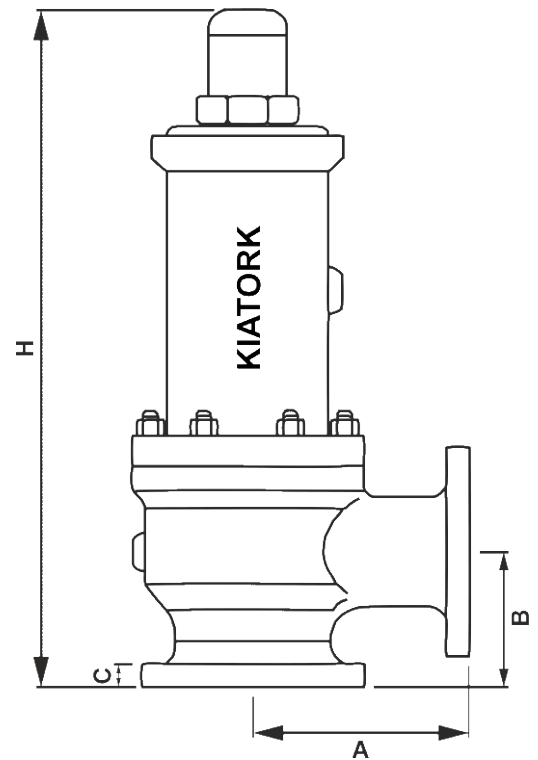


Orifice	L
---------	---

Actual Orifice Diameter $d_o$ [mm]	53.00 mm
Actual Orifice Area $A_o$ [mm <sup>2</sup> ]	2206.18 mm <sup>2</sup>



Inlet Class	01	02	03	04	05	06	07
ASME Flange Rating	150 x 150	300L x 150	300 x 150	600 x 150	900 x 150	1500 x 300	
Size	3" x 4"	3" x 4"	4" x 6"	4" x 6"	4" x 6"	4" x 6"	
A (mm)	162.0	162.0	210.0	210.0	221.0	222.0	
B (mm)	158.0	158.0	197.0	197.0	202.0	197.0	
C (mm)	34.4	34.4	53.0	55.0	60.5	62.0	
H (mm)	548.0	578.0	850.0	855.0	866.0	861.0	
Weight (kg)	39.0	39.0	110.0	110.0	123.0	123.0	
Inlet Temp. (°C)	Maximum Set Pressure (Barg)						
-268 to -60	19.0	19.0	36.9	36.9	48.3	*	
-59 to -29	19.0	19.0	49.6	68.9	103.4	*	
-28 to 38	19.7	19.7	51.0	68.9	103.4	103	
232	12.8	19.7	42.4	68.9	103.4	103.4	
427	5.5	19.7	28.3	56.9	85.1	103.4	
427	*	*	35.2	68.9	103.4	103.4	
538	*	*	14.8	29.6	44.8	74.4	
Outlet Temp. (37.3°C)	Maximum Outlet Pressure (Barg)						
Conventional Valves	19.7	19.7	19.7	19.7	19.7	19.7	
Bellows Valves	6.9	6.9	11.7	11.7	11.7	11.7	