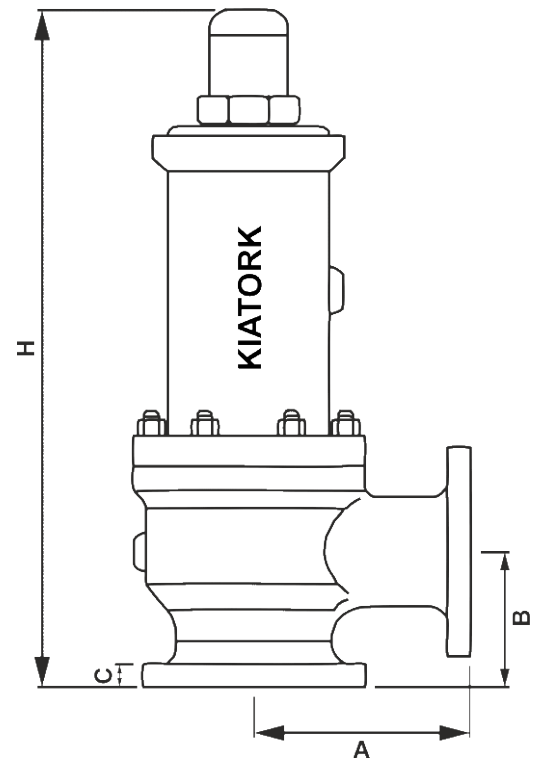


Orifice	M
---------	---

Actual Orifice Diameter d_o [mm]	58.00 mm
Actual Orifice Area A_o [mm ²]	2642.08 mm ²



Inlet Class	01	02	03	04	05	06	07
ASME Flange Rating	150 x 150	300L x 150	300 x 150	600 x 150	900 x 150		
Size	4" x 6"	4" x 6"	4" x 6"	4" x 6"	4" x 6"		
A (mm)	210.0	210.0	210.0	210.0	221.0		
B (mm)	197.0	197.0	197.0	197.0	202.0		
C (mm)	43.0	53.0	53.0	55.0	60.5		
H (mm)	850.0	850.0	850.0	855.0	866.0		
Weight (kg)	110.0	110.0	110.0	110.0	123.0		
Inlet Temp. (°C)	Maximum Set Pressure (Barg)						
-268 to -60	19.0	19.0	36.2	41.4	*		
-59 to -29	19.0	19.0	49.6	68.9	*		
-28 to 38	19.7	19.7	51.0	75.8	75.8		
232	12.8	19.7	42.4	75.8	75.8		
427	5.5	19.7	28.3	56.9	75.8		
427	*	*	35.2	68.9	75.8		
538	*	*	14.8	29.6	44.8		
Outlet Temp. (37.3°C)	Maximum Outlet Pressure (Barg)						
Conventional Valves	19.7	19.7	19.7	19.7	19.7		
Bellows Valves	5.5	5.5	11.0	11.0	11.0		