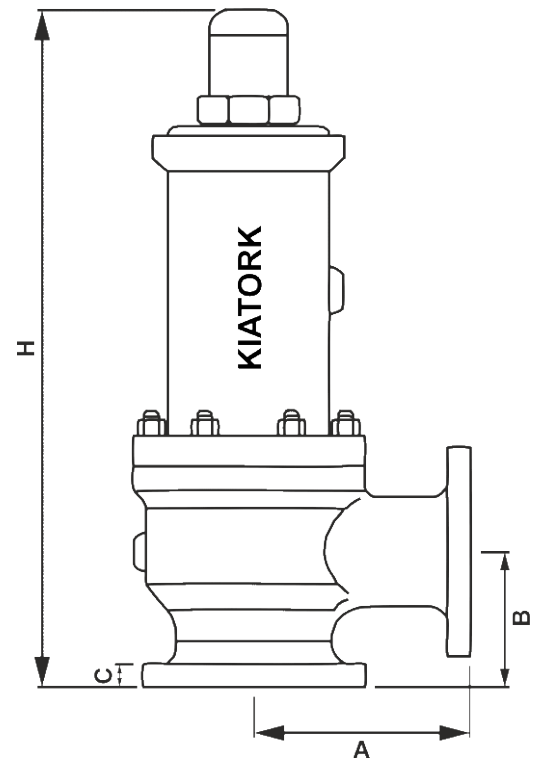


| | |
|---------|---|
| Orifice | N |
|---------|---|

| | |
|--|-------------------------|
| Actual Orifice Diameter d_o [mm] | 62.00 mm |
| Actual Orifice Area A_o [mm ²] | 3019.07 mm ² |



| Inlet Class | 01 | 02 | 03 | 04 | 05 | 06 | 07 |
|-----------------------|--------------------------------|------------|-----------|-----------|-----------|----|----|
| ASME Flange Rating | 150 x 150 | 300L x 150 | 300 x 150 | 600 x 150 | 900 x 150 | | |
| Size | 4" x 6" | 4" x 6" | 4"x6" | 4"x6" | 4"x6" | | |
| A (mm) | 210.0 | 210.0 | 210.0 | 210.0 | 221.0 | | |
| B (mm) | 197.0 | 197.0 | 197.0 | 197.0 | 202.0 | | |
| C (mm) | 43.0 | 53.0 | 53.0 | 55.0 | 60.5 | | |
| H (mm) | 850.0 | 850.0 | 850.0 | 855.0 | 866.0 | | |
| Weight (kg) | 110.0 | 110.0 | 110.0 | 110.0 | 123.0 | | |
| Inlet Temp. (°C) | Maximum Set Pressure (Barg) | | | | | | |
| -268 to -60 | 19.0 | 19.0 | 31.0 | 34.5 | * | | |
| -59 to -29 | 19.0 | 19.0 | 49.6 | 68.9 | * | | |
| -28 to 38 | 19.7 | 19.7 | 51.0 | 68.9 | 68.9 | | |
| 232 | 12.8 | 19.7 | 42.4 | 68.9 | 68.9 | | |
| 427 | 5.5 | 19.7 | 28.3 | 56.9 | 68.9 | | |
| 427 | * | * | 35.2 | 68.9 | 68.9 | | |
| 538 | * | * | 14.8 | 29.6 | 44.8 | | |
| Outlet Temp. (37.3°C) | Maximum Outlet Pressure (Barg) | | | | | | |
| Conventional Valves | 19.7 | 19.7 | 19.7 | 19.7 | 19.7 | | |
| Bellows Valves | 5.5 | 5.5 | 11.0 | 11.0 | 11.0 | | |