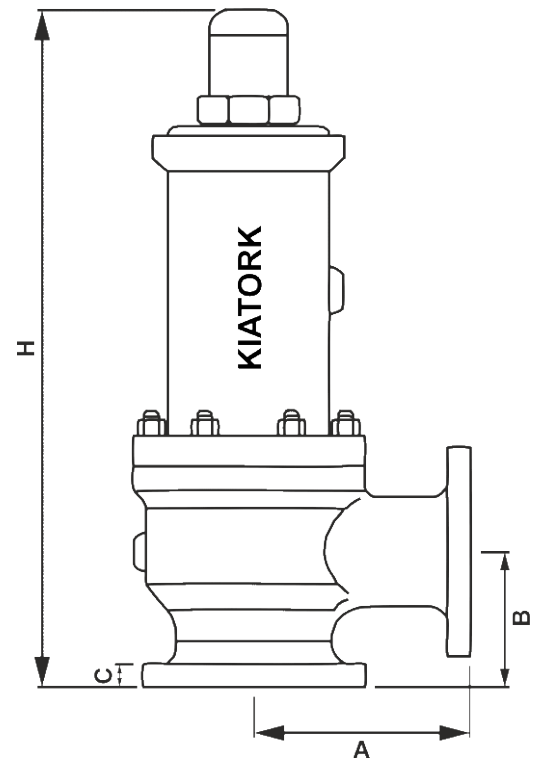


Orifice	P
---------	---

Actual Orifice Diameter $d_o$ [mm]	76.50 mm
Actual Orifice Area $A_o$ [mm <sup>2</sup> ]	4596.35 mm <sup>2</sup>



Inlet Class	01	02	03	04	05	06	07
ASME Flange Rating	150 x 150	300L x 150	300 x 150	600 x 150	900 x 150		
Size	4" x 6"	4" x 6"	4" x 6"	4" x 6"	4" x 6"		
A (mm)	255.0	254.0	2M.0	254.0	254.0		
B (mm)	224.0	225.0	225.0	225.0	225.0		
C (mm)	49.5	55.0	55.0	55.0	55.0		
H (mm)	1070.0	1070.0	1070.0	1070.0	1070.0		
Weight (kg)	190.0	200.0	200.0	200.0	220.0		
Inlet Temp. (°C)	Maximum Set Pressure (Barg)						
-268 to -60	12.1	12.1	20.7	33.1	*		
-59 to -29	19.0	19.0	36.2	68.9	*		
-28 to 38	19.7	19.7	36.2	68.9	68.9		
232	12.8	19.7	36.2	68.9	68.9		
427	5.5	19.7	28.3	56.9	68.9		
427	*	*	35.2	68.9	68.9		
538	*	*	14.8	29.6	44.8		
Outlet Temp. (37.3°C)	Maximum Outlet Pressure (Barg)						
Conventional Valves	19.7	19.7	19.7	19.7	19.7		
Bellows Valves	5.5	5.5	10.3	10.3	10.3		