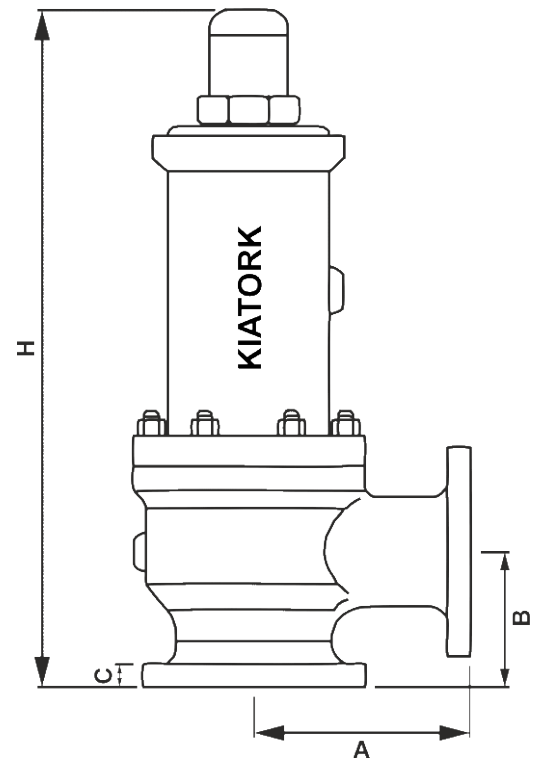


Orifice	Q
---------	---

Actual Orifice Diameter d_o [mm]	100.00 mm
Actual Orifice Area A_o [mm ²]	7854.00 mm ²



Inlet Class	01	02	03	04	05	06	07
ASME Flange Rating	150 x 150	300L x 150	300 x 150	600 x 150			
Size	6" x 8"	6" x 8"	6" x 8"	6" x 8"			
A (mm)	242.0	242.0	242.0	242.0			
B (mm)	239.0	239.0	239.0	239.0			
C (mm)	67.8	67.8	67.8	67.8			
H (mm)	1130.0	1130.0	1130.0	1130.0			
Weight (kg)	220.0	220.0	220.0	220.0			
Inlet Temp. (°C)	Maximum Set Pressure (Barg)						
-268 to -60	11.4	11.4	17.2	20.7			
-59 to -29	11.4	11.4	20.7	41.4			
-28 to 38	11.4	11.4	20.7	41.4			
232	11.4	11.4	207.0	41.4			
427	5.5	11.4	20.7	41.4			
427	x	x	11.4	41.4			
538	x	x	11.4	29.6			
Outlet Temp. (37.3°C)	Maximum Outlet Pressure (Barg)						
Conventional Valves	7.9	7.9	7.9	7.9			
Bellows Valves	4.8	4.8	7.9	7.9			