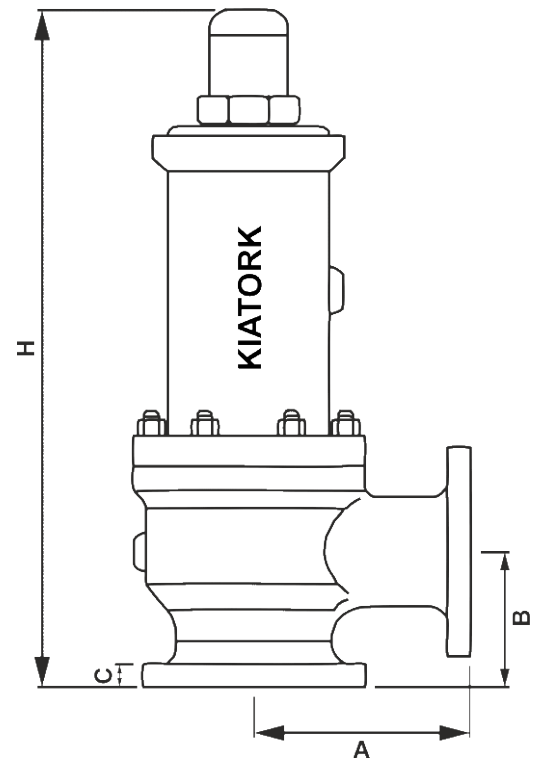


| | |
|---------|---|
| Orifice | R |
|---------|---|

| | |
|--|--------------------------|
| Actual Orifice Diameter d_o [mm] | 120.00 mm |
| Actual Orifice Area A_o [mm ²] | 11309.73 mm ² |



| Inlet Class | 01 | 02 | 03 | 04 | 05 | 06 | 07 |
|-----------------------|--------------------------------|------------|-----------|-----------|----|----|----|
| ASME Flange Rating | 150 x 150 | 300L x 150 | 300 x 150 | 600 x 150 | | | |
| Size | 6" x 8" | 6" x 8" | 6" x 10" | 6" x 10" | | | |
| A (mm) | 242.0 | 242.0 | 267.0 | 267.0 | | | |
| B (mm) | 235.0 | 235.0 | 239.0 | 239.0 | | | |
| C (mm) | 58.0 | 58.0 | 55.0 | 55.0 | | | |
| H (mm) | 1130.0 | 1130.0 | 1130.0 | 1130.0 | | | |
| Weight (kg) | 220.0 | 220.0 | 240.0 | 250.0 | | | |
| Inlet Temp. (°C) | Maximum Set Pressure (Barg) | | | | | | |
| -268 to -60 | 3.8 | 3.8 | 10.3 | 13.8 | | | |
| -59 to -29 | 6.9 | 6.9 | 15.8 | 20.7 | | | |
| -28 to 38 | 6.9 | 6.9 | 15.8 | 20.7 | | | |
| 232 | 6.9 | 6.9 | 15.8 | 20.7 | | | |
| 427 | 5.5 | 6.9 | 15.8 | 20.7 | | | |
| 427 | * | * | 6.9 | 20.7 | | | |
| 538 | * | * | 6.9 | 20.7 | | | |
| Outlet Temp. (37.3°C) | Maximum Outlet Pressure (Barg) | | | | | | |
| Conventional Valves | 4.1 | 4.1 | 6.9 | 6.9 | | | |
| Bellows Valves | 4.1 | 4.1 | 6.9 | 6.9 | | | |