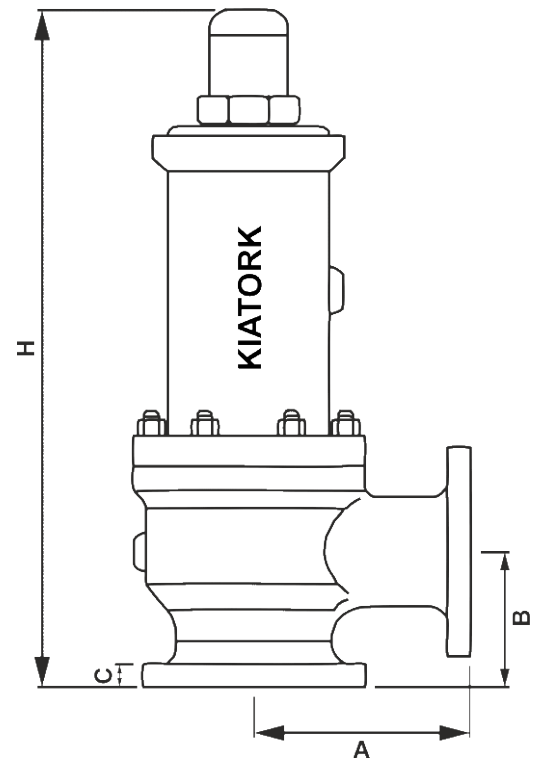


| | |
|---------|---|
| Orifice | T |
|---------|---|

| | |
|--|--------------------------|
| Actual Orifice Diameter d_o [mm] | 160.00 mm |
| Actual Orifice Area A_o [mm ²] | 20106.20 mm ² |



| Inlet Class | 01 | 02 | 03 | 04 | 05 | 06 | 07 |
|-----------------------|--------------------------------|------------|-----------|-----------|----|----|----|
| ASME Flange Rating | 150 x 150 | 300L x 150 | 300 x 150 | 600 x 150 | | | |
| Size | 8" x 10" | 8" x 10" | 8" x 10" | 8" x 10" | | | |
| A (mm) | 279.0 | 279.0 | 279.0 | 279.0 | | | |
| B (mm) | 279.0 | 279.0 | 279.0 | 279.0 | | | |
| C (mm) | 52.0 | 52.0 | 52.0 | 52.0 | | | |
| H (mm) | 1320.0 | 1320.0 | 1320.0 | 1320.0 | | | |
| Weight (kg) | 340.0 | 340.0 | 340.0 | 340.0 | | | |
| Inlet Temp. (°C) | Maximum Set Pressure (Barg) | | | | | | |
| -268 to -60 | 3.4 | 3.4 | 4.5 | * | | | |
| -59 to -29 | 4.5 | 4.5 | 8.3 | * | | | |
| -28 to 38 | 4.5 | 4.5 | 20.7 | * | | | |
| 232 | 4.5 | 4.5 | 20.7 | * | | | |
| 427 | 4.5 | 4.5 | 20.7 | * | | | |
| 427 | * | * | 8.3 | 20.7 | | | |
| 538 | * | * | 6.9 | 14.9 | | | |
| Outlet Temp. (37.3°C) | Maximum Outlet Pressure (Barg) | | | | | | |
| Conventional Valves | 2.0 | 2.0 | 4.1 | 6.9 | | | |
| Bellows Valves | 2.0 | 2.0 | 4.1 | 6.9 | | | |